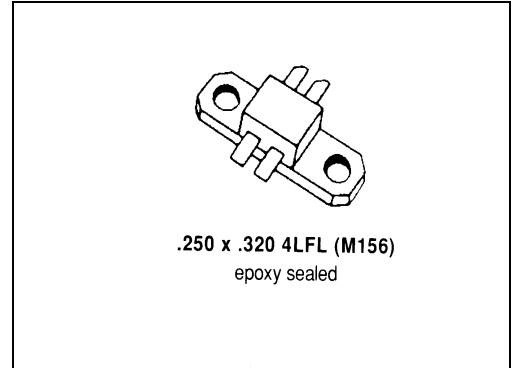


MS1579

RF & MICROWAVE TRANSISTORS TV LINEAR APPLICATIONS

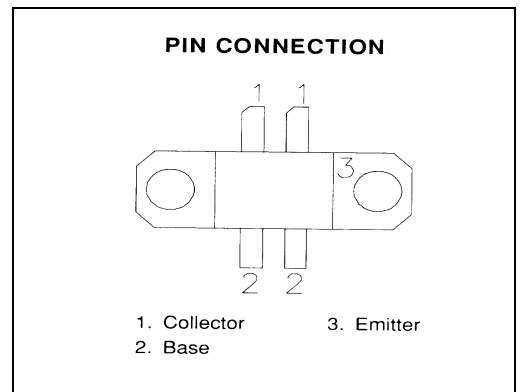
Features

- 470 - 860 MHz
- 25 VOLTS
- CLASS A OPERATION
- INTERNAL INPUT MATCHING
- $P_{OUT} = 14$ WATTS
- $G_P = 8.5$ dB MINIMUM
- COMMON EMITTER CONFIGURATION



DESCRIPTION:

The MS1579 is a gold metallized, epitaxial silicon NPN transistor designed for Class A, UHF and Band IV, V television transmitters applications. Diffused emitter ballast resistors ensure long term reliability under Class A linear operation.



ABSOLUTE MAXIMUM RATINGS (T_{case} = 25°C)

Symbol	Parameter	Value	Unit
V _{CB0}	Collector-Base Voltage	45	V
V _{CE0}	Collector-Emitter Voltage	25	V
V _{EBO}	Emitter-Base Voltage	4.0	V
P _{DISS}	Power Dissipation	65	W
I _c	Device Current	5.2	A
T _J	Junction Temperature	+200	°C
T _{STG}	Storage Temperature	-65 to +150	°C

Thermal Data

R _{TH(J-C)}	Thermal Resistance Junction-case	2.5	°C/W
----------------------	----------------------------------	-----	------

**ELECTRICAL SPECIFICATIONS (T_{case} = 25°C)
STATIC**

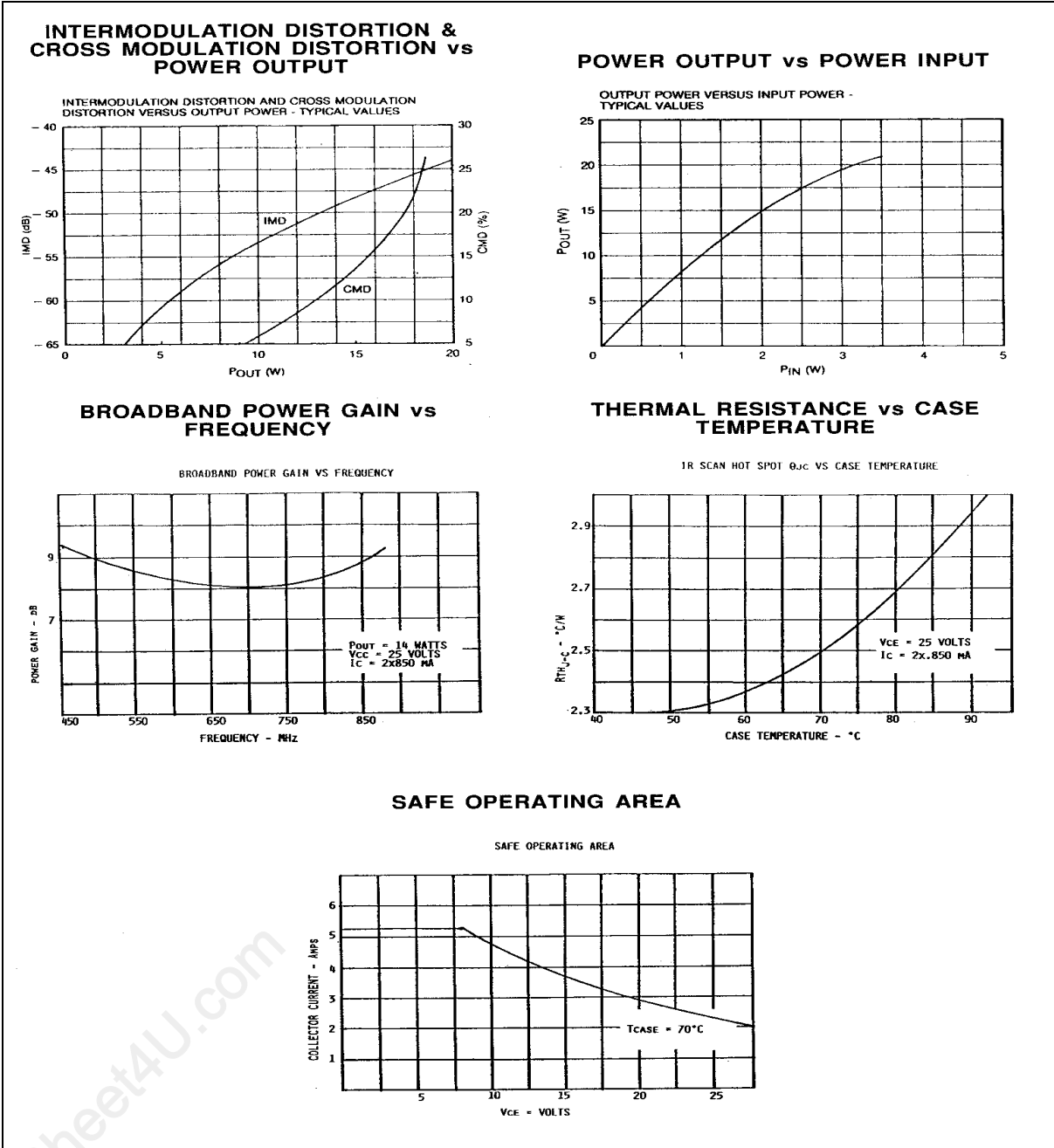
Symbol	Test Conditions		Value			Unit
			Min.	Typ.	Max.	
BV_{CBO}	I_C = 20 mA	I_E = 0 mA	45	---	---	V
BV_{CEO}	I_C = 40 mA	I_B = 0 mA	25	---	---	V
BV_{EBO}	I_E = 5 mA	I_C = 0 mA	3.0	---	---	V
HFE	V_{CE} = 20 V	I_C = 0.5 A	10	---	200	---

DYNAMIC

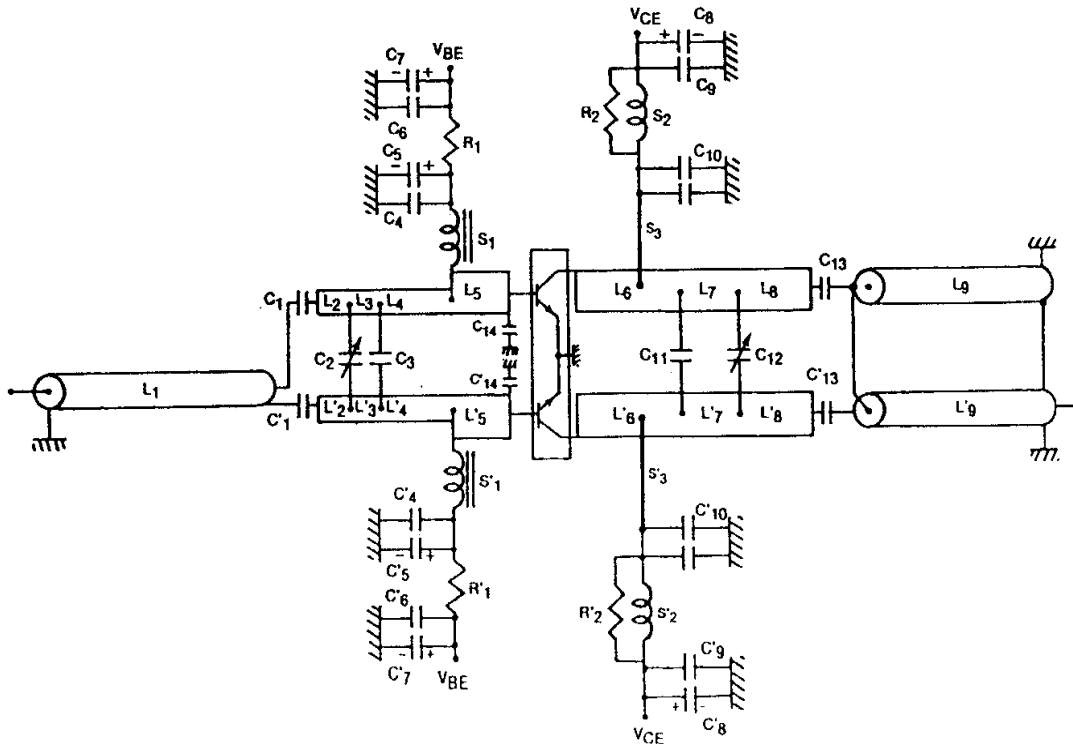
Symbol	Test Conditions			Value			Unit
				Min.	Typ.	Max.	
P_{OUT}	f = 845 MHz	P_{IN} = 2.0	V_{CE} = 25 V	14	---	---	W
G_P	P_{OUT} = 14 W	P_{IN} = 2.0	V_{CE} = 25 V	8.5	---	---	dB
IMD₃	P_{OUT} = 14 W	P_{IN} = 2.0	V_{CE} = 25 V	---	-47	---	dBc
C_{OB}	f = 1 MHz	V_{CB} = 25 V		---	---	20	pf

Conditions: V_{CE} = 25 V I_{CQ} = 2 x 850 mA

TYPICAL PERFORMANCE



TEST CIRCUIT



C1, C'1, C13, C'13 : 68pF, ATC 100A
 C2 : 4.5pF Adjustable Johanson
 C3 : 4.7pF, ATC 100A
 C4, C'4, C6, C'6, C9, C'9, C10, C'10 : 100pF, ATC 100A + 1nF LCC Chip + 10nF LCC Chip
 C5, C'5 : 4.7 μ F, 25V, Tantalum Capacitor
 C7, C'7 : 10 μ F, 25V, Tantalum Capacitor
 C8, C'8 : 22 μ F, 35V, Tantalum Capacitor
 C11 : 4.7pf, ATC 100A
 C12 : 8pF Adjustable Johanson
 C14, C'14 : 22pF, ATC 100A
 L1, L9, L'9 : 50 Ω Coaxial Wire Diameter 2.2mm, Length 29mm on 70 Ω Transmission Line
 L2, L'2 : 50 Ω Printed Transmission Line Length 4mm

L3, L'3 : 50 Ω Printed Transmission Line Length 3mm
 L4, L'4 : 50 Ω Printed Transmission Line Length 9.5mm
 L5, L'5 : 39 Ω Printed Transmission Line Length 7mm
 L6, L'6 : 39 Ω Printed Transmission Line Length 15mm
 L7, L'7 : 39 Ω Printed Transmission Line Length 8mm
 L8, L'8 : 39 Ω Printed Transmission Line Length 10mm

R1, R'1 : 4.7 Ω , 1/2W
 R2, R'2 : 1207 Ω , 1/2W

S1, S'1 : 470nH Molded
 S2, S'2 : 5 Turns, Diameter Wire 0.5mm on 3mm I.D.
 S3, S'3 : Diameter Wire 1.2mm, Length 12mm

Substrate: Teflon Glass 30Mils, Er = 2.55

PACKAGE MECHANICAL DATA

